

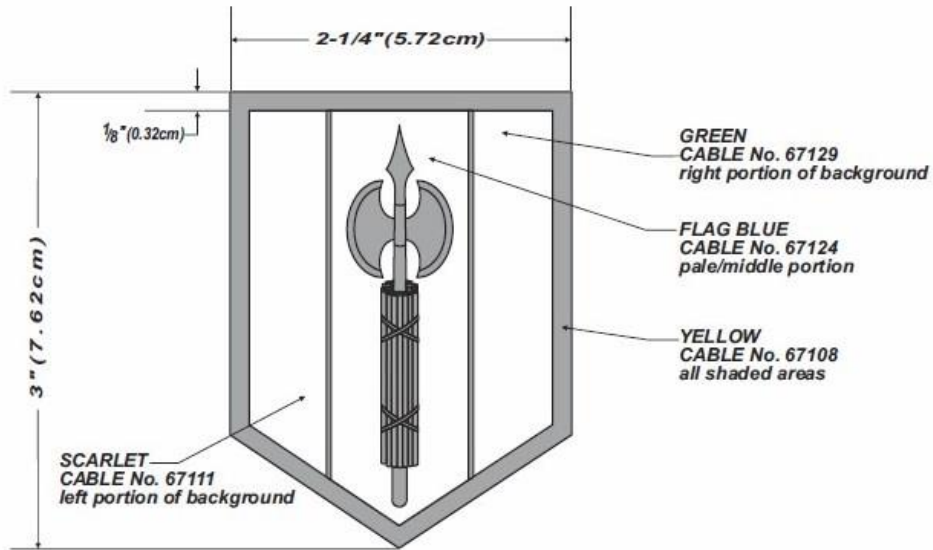
**FOR SUBDUED INSIGNIA**

**ACU:**

RED AND GREEN AREAS AND BORDER TO BE BLACK 67138. BLUE AREAS TO BE FOLIAGE GREEN 67202. YELLOW AREA TO BE BROWN 67136.

**REVISIONS**

LTR	DESCRIPTION	DATE	APPROVED
ALL	STITCH COUNT INFORMATION ADDED; SUBDUED NOTES REVISED; REDESIGNATED	14 APR '08	pm SAO TLC <i>Charles V. Mugno</i> CHARLES V. MUGNO DIRECTOR



**DESIGNED FOR OVEREDGE STITCHING**

**STITCH COUNT**

6876 STITCHES (minimum)  
90/2 DENIER  
12/4 SPAN

**FORMERLY: 302D COMBAT SUPPORT BRIGADE (MANEUVER ENHANCEMENT)**

UNLESS OTHERWISE SPECIFIED DIMENSIONS ARE IN INCHES TOLERANCES ON FRACTIONS DECIMALS ANGLES

MATERIALS:  
TO BE MANUFACTURED IN ACCORDANCE WITH MIL-DTL-14652

EXAMINED	TLC		
CHECKED	pm	SAO	
PREPARED	CA		

APPROVED  
*Charles V. Mugno*  
CHARLES V. MUGNO  
DIRECTOR

THE INSTITUTE OF HERALDRY, DEPARTMENT OF THE ARMY  
9325 GUNSTON RD. S-113 FORT BELVOIR, VA 22060-5579

**SHOULDER SLEEVE INSIGNIA**  
**302D MANEUVER ENHANCEMENT BRIGADE**

SIZE	CONTROL IDENT. NO	<b>A - 1 - 952</b>
<b>A</b>	<b>22571</b>	
SCALE	FULL	DATE 27 DECEMBER 2007